

Model FAM - Flexible Axis Meter

The FAM (Flexible Axis Meter) - The new concept in design and construction of water meters, is revolutionizing residential metering.

Along with a 360° installation range and choice of connection methods, FAM offers maximum performance in a design that complies with or exceeds accuracy, operating, design and material requirements of leading standards like ISO, AWWA and others.

- **Applications**

For domestic and Sub metering installations

- **Available Sizes**

3/4"

- **Standards**

EEC (based on ISO 4064:1993),
AWWA C708, NSF

The meter meets the strict environment tandard-American standard for drinking water NSF 61

Features:

- The FAM flow tube can be installed horizontally, vertically or at any angle in between. Regardless of the angle in between, the measuring chamber remains horizontally. Allows easy installation without re-plumbing, making sub metering retrofit affordable in many previously impractical installations.
- Choice of connectors to further simplify installation, the FAM flow tube can be installed either with threaded or solder-joint connections.
- The FAM flow tube is supplied with a dualpurpose plug that allows water flow through the line for flushing or system pressure testing.
- When it's time for meter installation, just unscrew the plug and replace it with the measuring unit.
- Electronic Reading Compatible: EV, all DIALOG registers including the Dialog3G wireless register

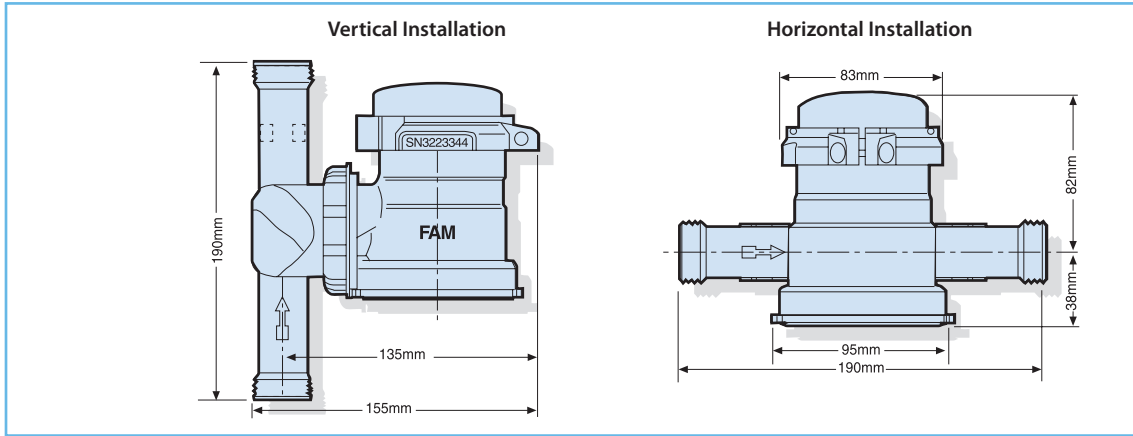
Technical Specifications

Maximum Working Pressure	10 bar
Maximum Working Temperature	50°C
Body	Reinforced nylon
Flow tube	Corrosion proof copper alloy Alternative superior plastic material
Coupling threads	BSP, NPT



FAM type dial

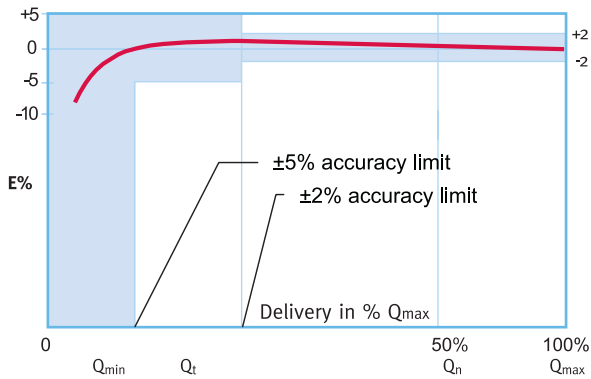
Dimensions



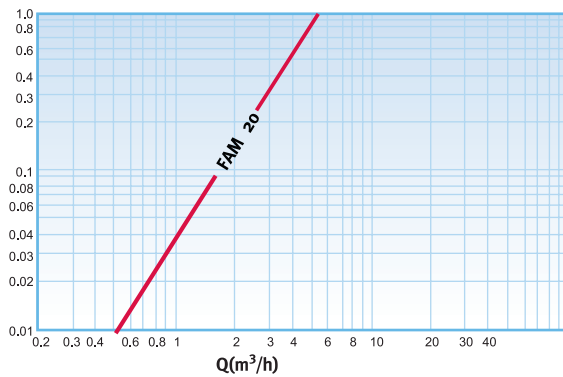
Performance data:

Model	Nominal size (inch)	Q _{max} Maximum flowrate (m ³ /h)	Q _n Nominal Flowrate (m ³ /h)	Q _t Transitional Flowrate (l/h)	Q _{min} Minimum Flowrate (l/h)	Maximum register capacity (m ³)	Smallest readable unit (liter)	Accuracy between Q _{max} & Q _t	Accuracy between Q _t & Q _{min}
FAM20	3/4"	5	2.5	200	50	10 ⁵	0.1	±2%	±5%

Accuracy Curve



Head Loss Curve



Installation Requirements

- Multi angle installation



Horizontal Installation



Vertical Installation



Diagonal Installation